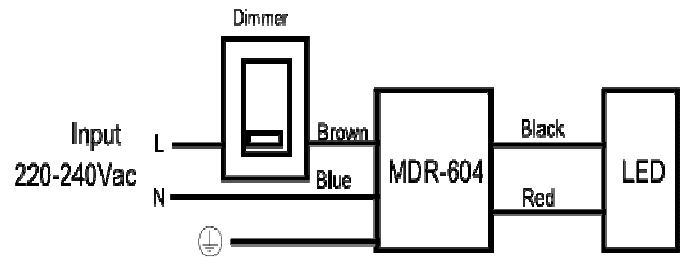


SPECIFICATIONS

Features

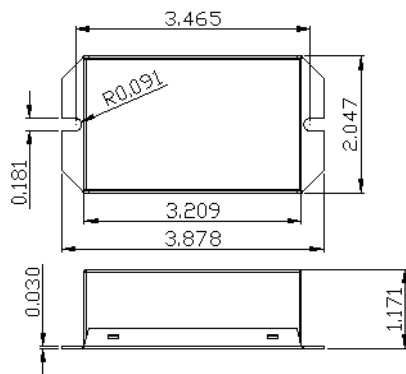
- Incandescent/ Magnetic Low Voltage Dimming
- Compact size / Low profile
- Constant Current Output
- Active Power Factor
- Class II compliance
- 5 Year Warranty
- Restart at Lowest Dimming Setting
- Power Factor Correction / Low Load

Wiring Diagram



Mechanical and Thermal

Dimensions	L3.878" × W2.047" × H1.171"
Weight	245 g
Lead Wire Length	6" (Standard)
Max. Case Operation Temp.	80°C



* Dimension in Inch

Protection

- Auto-reset electronic short circuit
- Overload protection
- Class II

Approval and Compliance

- MTBF >100,000 hrs
- RoHS Compliant
- Lead Free SMT process
- Compliant with

✓IEC 60598-1	✓IEC 60598-2-x
✓IEC 62031	✓IEC 62471
✓IEC/TR 62471-2	✓IEC 60529
✓IEC 55015	✓IEC 61547
✓IEC 62493	
- CE approval (UL Project NO.13CA14930)

Electrical

Maximum Load	23W
Minimum Load	15W
Input Voltage	220-240V/60Hz
Max Output Voltage/Current	32VDC/700mA
Power Factor	>0.90
Max. Harmonic Distortion	<20%
Efficiency	80 typ.
No Load Loss	<1 W



Macron Associate Co. – Power Supply Team

NO.352, Peng-Yi Road, Taiping, Taichung, Taiwan 411

TEL: 886-4-22708357 FAX: 886-4-22767307 Email: macron@macrongroup.com

C1214